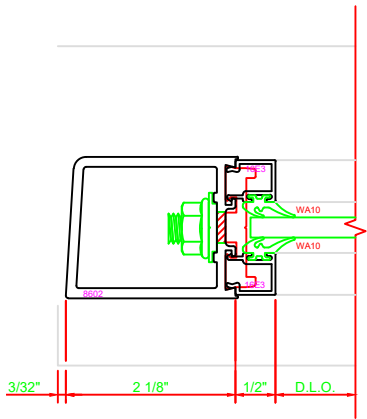
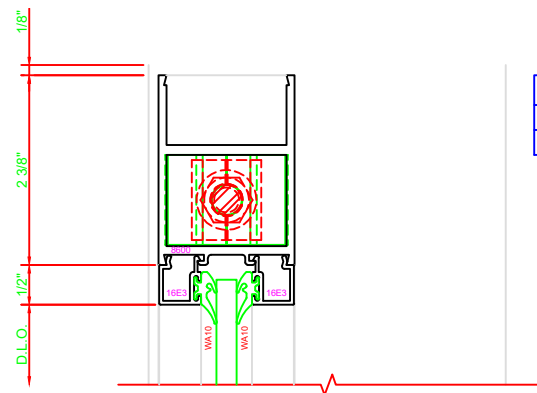
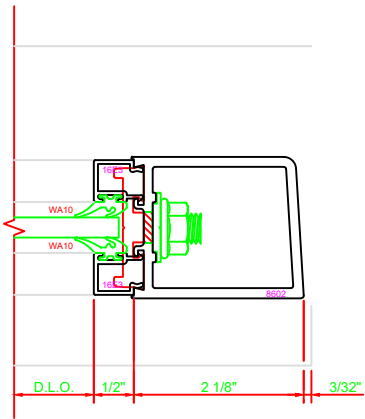


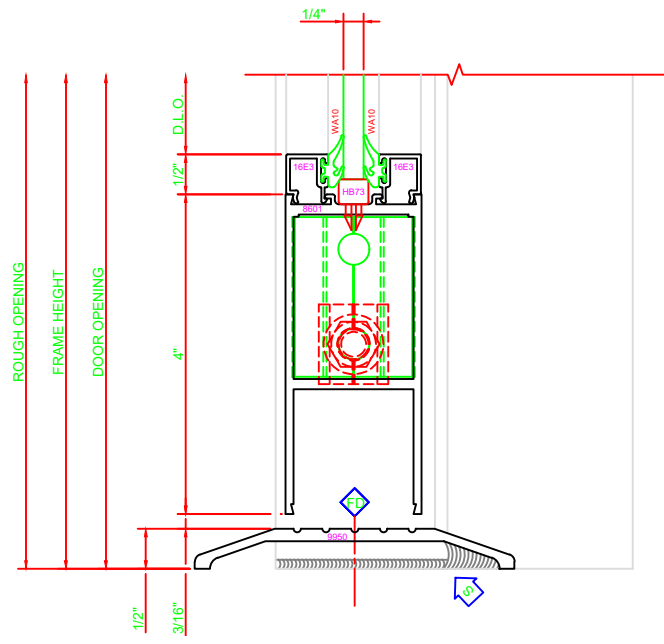
300	STILE
	T200



301	STILE
	T200



100	TOP RAIL
	T200



200	BOTTOM RAIL
	T200